

SENSOR SWITCH

Item No.	RBS120300T	Description	TILT SWITCH	Version	8
Page	1 of 9		Date	Oct. 31, 2013	

● FUNCTIONS

1. Two way 45° Tilt Detecting in vertical mode.
2. Rotation Detecting



● APPLICATIONS

1. Rotation detection for all kinds of monitors
2. Anti-theft / Anti-tamper devices
3. Alarm system
4. Automatically tilt shut off for sporting equipment
5. Toys 、 Entertainment devices

● FEATURES

1. Suitable for vertical PCB.
2. Switch state: Normal close.
3. Tiny size, suitable for small space.
4. Housing made of high insulation plastic material, free from electric conduction and rust problem.
5. Gold-plated ball and terminals, low possibility of oxidization.
6. All plastic materials subject to industrial purpose, resist high temperature and meet fireproof function.
7. Simple ON and OFF signals, easy for design.
8. RoHS compliance, an ideal substitute for mercury switch.
9. A more economical tilt and rotation detection option than IC design solution.
10. All made in Taiwan and examined before shipment.



SENSOR SWITCH

Item No.	RBS120300T	Description	TILT SWITCH	Version	8
Page	2 of 9		Date	Oct. 31, 2013	

● PATENTS

1. Taiwan Patent No. I 239025
2. Taiwan Patent No. I 261280
3. US Patent No. US 7,045,724 B1
4. US Patent No. US 7,473,857 B2
5. China Patent No. ZL 200610078234.3
6. China Patent No. ZL 200410091589.7

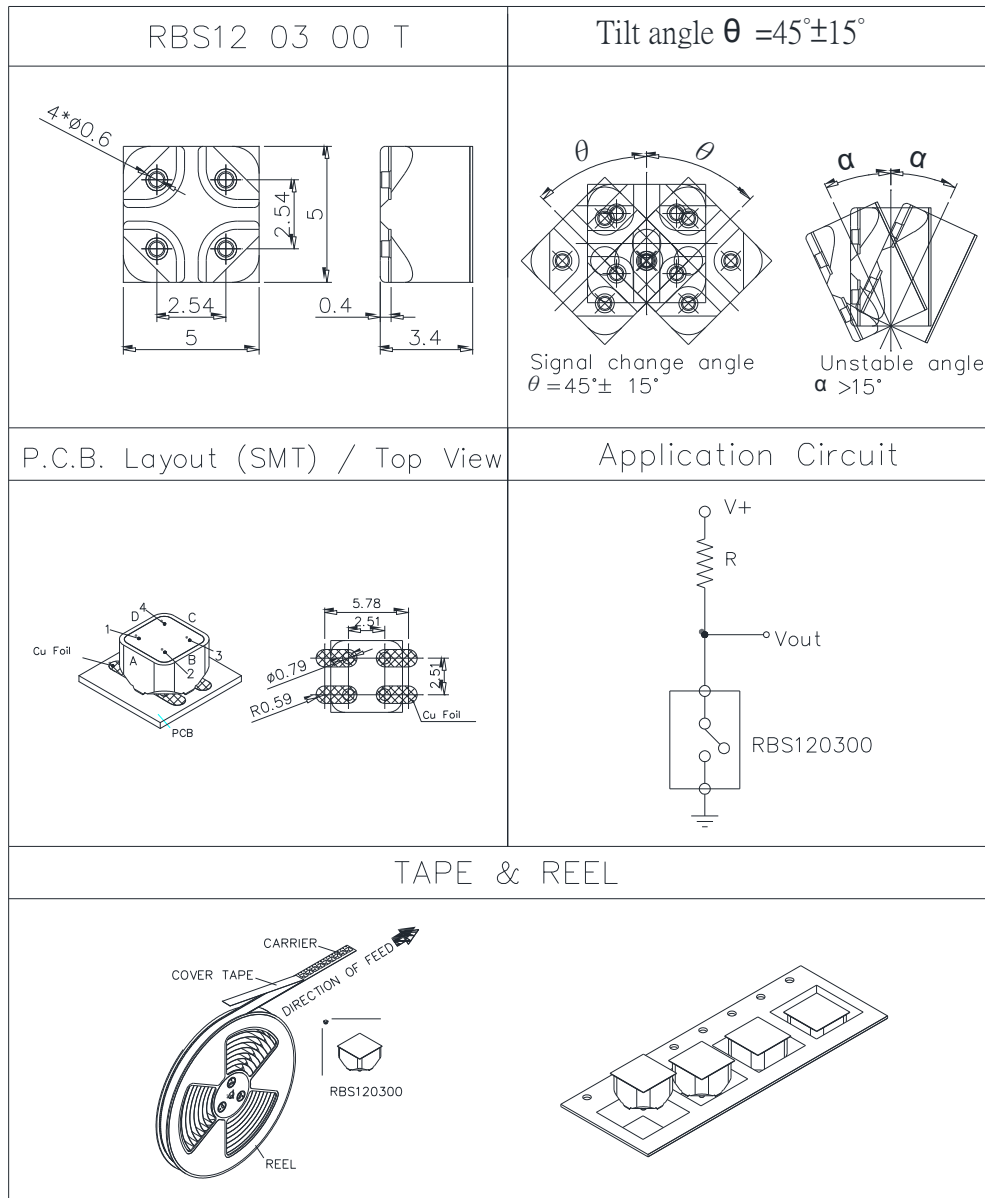


SENSOR SWITCH

Item No.	RBS120300T	Description	TILT SWITCH	Version	8
Page	3 of 9		Date	Oct. 31, 2013	

● DIMENSIONS / OPERATION / P.C.B. LAYOUT (Unit: mm, Tolerance: ±0.25mm)

Fig. 1



SENSOR SWITCH

Item No.	RBS120300T	Description	TILT SWITCH	Version	8
Page	4 of 9		Date	Oct. 31, 2013	

● Current/Voltage Suggested

Input Current (mA)	Operating Voltage (V)	Condition
10	5	--

● ELECTRICAL CHARACTERISTICS

1.	Contact Rating	10 mA, 5VDC
2.	Contact Resistance	50 Ω max.
3.	Differential Angle	Refer to Fig. 1
4.	Insulation Resistance	50 MΩ min. at 100VDC
5.	Dielectric Strength	50 VDC min. for 1 minute
6.	Capacitance	5pF max.
7.	Conductive Rate	90% min.



SENSOR SWITCH

Item No.	RBS120300T	Description	TILT SWITCH	Version	8
Page	5 of 9		Date	Oct. 31, 2013	

● RELIABLE TEST ITEMS

Reliable Test for RBS120300T

Test Item	Standard	Contents
IR Reflow	MIL-STD-202G, TEST METHOD 210F、 IPC/JEDEC J-STD-020D	Peak temp.=255~260°C*3 times
Operating Temperature	MIL-STD-202G, TEST METHOD 107G, TEST A	-25°C~85°C
Storage Temperature	MIL-STD-202G, TEST METHOD 107G, TEST A	-40°C~85°C
Humidity	MIL-STD-202G, TEST METHOD 103B	40°C/95%RH
Mechanical Life	--	2 Hz, horizontal 1,000,000 times
Electrical Life	--	100,000 times



SENSOR SWITCH

Item No.	RBS120300T	Description	TILT SWITCH	Version	8
Page	6 of 9		Date	Oct. 31, 2013	

● SOLDERING CONDITION

Following soldering conditions are for reference only, please use soldering information that solder paste manufacturer recommends.

Condition Operation Method	Soldering Temperature	Soldering Time	Wattage of Manual Soldering	Suitable Production Process
IR Reflow	Please refer to following < Table of classification Reflow profile > and Fig. 2		-	SMT
Wave Soldering	260±5°C	< 5 seconds max.	-	DIP
Manual Soldering	260±5°C	< 5 seconds max.	20W or Temperature-controlled manual soldering	DIP、SMT



SENSOR SWITCH

Item No.	RBS120300T	Description	TILT SWITCH	Version	8
Page	7 of 9		Date	Oct. 31, 2013	

< Table of classification Reflow profile >

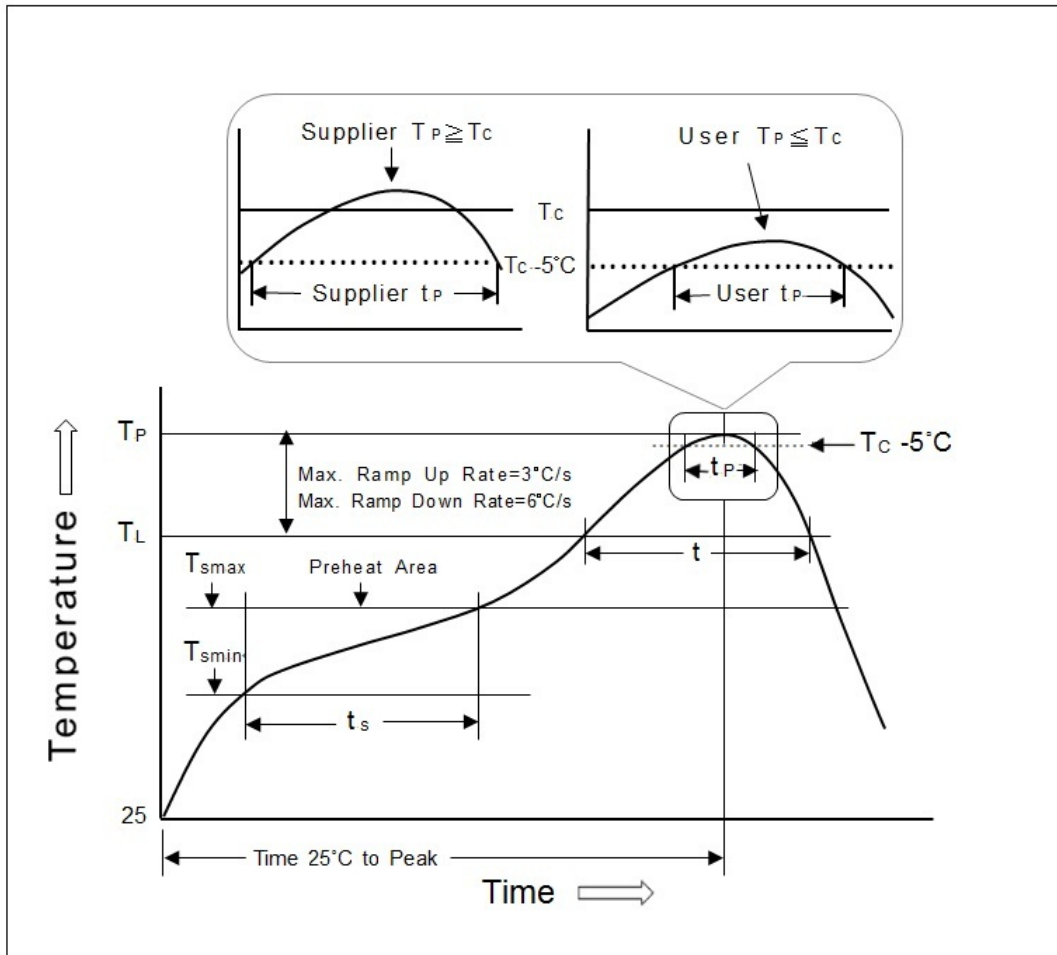
Item	Pb process	Pb free process
Pre-heat and Soak		
Temperature min.(T _{min})	100 °C	150 °C
Temperature max.(T _{max})	150 °C	200 °C
Time (T _{min} to T _{max})(ts)	60-120 seconds	60-120 seconds
Average Rate of temperature rising up (T _{max} to T _p)	3 °C/second max.	3 °C/second max.
Liquidous Temperature (TL)	183 °C	217 °C
Time at Liquidous (tL)	60-150 seconds	60-150 seconds
Peak package body Temperature (T _p)*	230 °C ~235 °C *	255 °C ~260 °C *
Classification temperature(T _c)	235 °C	260 °C
Time(tp)** within 5 °C of the specified classification temperature (T _c)	20** seconds	30** seconds
Average ram-down Rate (T _p to T _{max})	6 °C/second max.	6 °C/second max.
Time 25 °C to peak temperature	6 minutes max.	8 minutes max.
* Tolerance for peak profile temperature (T _p) is defined as a supplier minimum and a user maximum. ** Tolerance for time at peak profile temperature (tp) is defined as a supplier minimum and a user maximum.		



SENSOR SWITCH

Item No.	RBS120300T	Description	TILT SWITCH	Version	8
Page	8 of 9		Date	Oct. 31, 2013	

Fig. 2



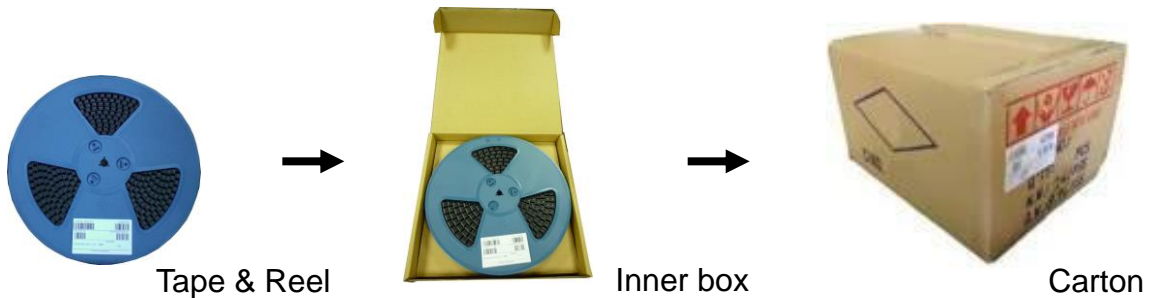
SENSOR SWITCH

Item No.	RBS120300T	Description	TILT SWITCH	Version	8
Page	9 of 9		Date	Oct. 31, 2013	

● PACKAGE

	Part Number	Package	Quantity	Total Q'ty	Packing Dimension
1.	RBS120300T	Tape & Reel	2,000 pcs	2,000 pcs	φ330*12.5H
		Inner box	3 Reels	6,000 pcs	355L*340W*68H
		Outer carton	4 Inner boxes	24,000 pcs	373L*358W*309H

※ Package shown as below for reference.



SENSOR SWITCH

Item No.	RBS120300T	Description	TILT SWITCH	Version	8
Page	10 of 9		Date	Oct. 31, 2013	

● NOTE

1. Suggestion for usage : For vibration usage or application · we suggest to add hysteresis for IC; if vibration is heavy · optical type of sensor switch is recommended.
2. For the continued product improvement as one of the company policy, specifications may change or update without notice. The latest information can be obtained through our sales offices. Normally, all products are supplied under our standard conditions.
3. If buyer's products will stay in power supply for a long time which needs very high stability, optical sensor switch is strongly recommended.

● PRECAUTIONS FOR USE

1. If the products is intended to be used for other endurance equipment requiring higher safety and reliability such as life support system, space and aviation devices, disaster and safety system, it's necessary to make verification of conformity or contact us for the details before using.
2. Do not try to clean the switch with a solvent or similar substance after the soldering process.
3. Use water-soluble flux may damage the switch.
4. If soldering temperature exceeds our specification, sensor switch could get apart.
5. Do not use switch in the environment of high humidity · because such an environment may cause the leakage current between the terminals.
6. More than the rated load may cause fire, so do not use more than the load.
7. In the circuit · switch should not be near or directly connected with the magnetic component solder joints (for example: relays, transformers, etc.).

